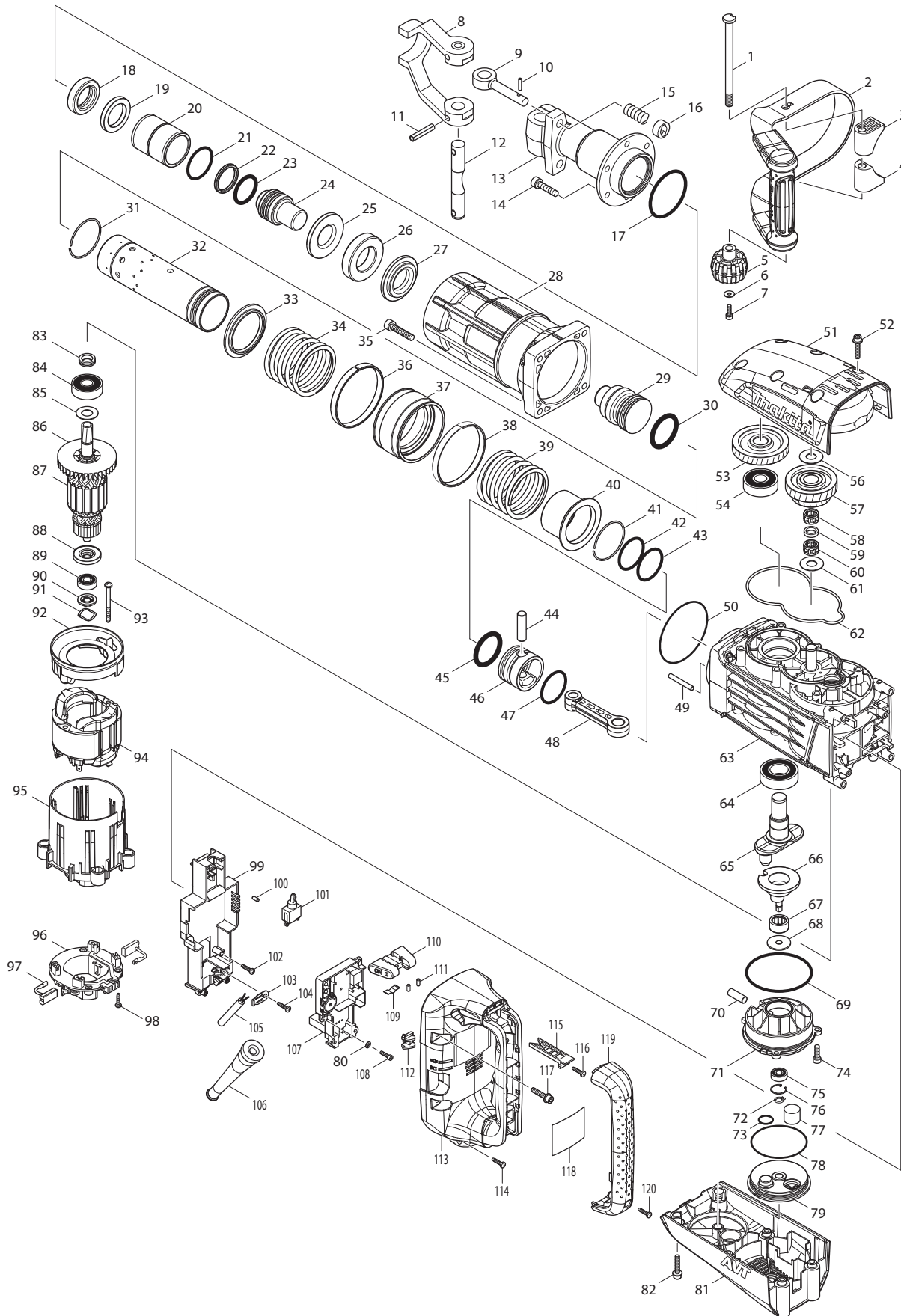




09 - 2010
HM1317CB
DEMOLITION HAMMER



Item No	Type	Ref	Part No	Description (*See Service Changes)	Qty	Unit
001			266512-5	SET BOLT M10X142	1	PC.
002			163506-0	SIDE HANDLE	1	PC.
003			451331-4	HANDLE BASE	1	PC.
004			451331-4	HANDLE BASE	1	PC.
005			252654-1	THUMB NUT M10	1	PC.
006			253194-2	FLAT WASHER 5	1	PC.
007			922221-3	HEX. SOCKET HEAD BOLT M5X16	1	PC.
008			325895-3	TOOL RETAINER	1	PC.
009			322477-2	TOOL RETAINER POLE	2	PC.
010			256219-1	PIN 4	2	PC.
011			951272-9	SPRING PIN 8-40	2	PC.
012			324238-6	TOOL RETAINER SHAFT	1	PC.
013			331872-5	TOOL HOLDER	1	PC.
014			266011-7	HEX. SOCKET HEAD BOLT M8X35	6	PC.
015			233083-7	COMPRESSION SPRING 12	2	PC.
016			322560-5	RETAINER RING	2	PC.
017			213720-9	O RING 67	1	PC.
018			262151-9	URETHAN RING 32	1	PC.
019			257301-9	RING 35	1	PC.
020			257788-5	SLEEVE 43	1	PC.
021			213569-7	O RING 45	1	PC.
022			213192-8	X-RING 36	1	PC.
023			213150-4	O-RING 36	1	PC.
024			325687-0	IMPACT BOLT	1	PC.
025			325683-8	WASHER 30	1	PC.
026			424206-0	RUBBER RING 36	1	PC.
027			325684-6	SHOULDER RING 32	1	PC.
028			318458-2	BARREL	1	PC.
029			325685-4	STRIKER	1	PC.
030			213193-6	O-RING 42	1	PC.
031			233977-6	RING SPRING 55	1	PC.
032			331870-9	CYLINDER 52	1	PC.
033			451168-9	SHOULDER SLEEVE	1	PC.
034			234111-1	COMPRESSION SPRING 66	1	PC.
035			265367-5	HEX. SOCKET HEAD BOLT M8X40	4	PC.
036			451169-7	WEIGHT GUIDE	1	PC.
037			331867-8	COUNTER WEIGHT	1	PC.
038			451169-7	WEIGHT GUIDE	1	PC.
039			234111-1	COMPRESSION SPRING 66	1	PC.
040			331868-6	SLIDE SLEEVE	1	PC.
041			233977-6	RING SPRING 55	1	PC.
042			213569-7	O RING 45	1	PC.
043			213569-7	O RING 45	1	PC.
044			256238-7	PIN 12	1	PC.
045			213193-6	O-RING 42	1	PC.
046			318459-0	PISTON	1	PC.
047			213569-7	O RING 45	1	PC.
048			451164-7	CONNECTING ROD	1	PC.
049			268241-6	PIN 6	1	PC.
050			213806-9	O RING 90	1	PC.
051			318462-1	GEAR COVER	1	PC.
052			266499-1	H.S HEAD BOLT M6X30 WITH GM	6	PC.
053			227709-1	HELICAL GEAR 47	1	PC.

Item No	Type	Ref	Part No	Description (*See Service Changes)	Qty	Unit
054			211306-3	BALL BEARING 6204LLB	1	PC.
056			267166-1	FLAT WASHER 14	1	PC.
057			226156-3	GEAR COMPLETE 31-43	1	PC.
058			212159-3	NEEDLE CAGE 1412	1	PC.
059			262157-7	NYLON RING 14	1	PC.
060			212159-3	NEEDLE CAGE 1412	1	PC.
061			267166-1	FLAT WASHER 14	1	PC.
062			424207-8	SEAL RING	1	PC.
063			140056-2	CRANK HOUSING COMPLETE	1	PC.
064			211373-8	BALL BEARING 6205LLU	1	PC.
065			331871-7	CRANK SHAFT	1	PC.
066			331869-4	COUNTER SHAFT	1	PC.
067			212264-6	NEEDLE ROLLER BEARING 1813	1	PC.
068			325686-2	SHOULDER WASHER 8	1	PC.
069			213809-3	O RING 87	1	PC.
070			268240-8	PIN 10	1	PC.
071			140057-0	BEARING BOX COMPLETE	1	PC.
072			961004-6	RETAINING RING S-8	1	PC.
073			213261-5	O RING 17	1	PC.
074			265844-7	HEX. SOCKET HEAD BOLT M6X20	3	PC.
075	2		210223-4	BALL BEARING 608ZZ	1	PC.
076			962112-6	RETAINING RING R-22	1	PC.
077			443127-7	FILTER	1	PC.
078			213758-4	O RING 74	1	PC.
079			451166-3	CRANK CAP COVER	1	PC.
081			451167-1	REAR COVER	1	PC.
082			266499-1	H.S HEAD BOLT M6X30 WITH GM	6	PC.
083			331855-5	SEALING SCREW	1	PC.
084			211249-9	BALL BEARING 6302LLU	1	PC.
085			267397-2	FLAT WASHER 15	1	PC.
086			240003-4	FAN 80	1	PC.
087			517785-6	ARMATURE ASSEMBLY 100-115V	1	PC.
		INC.		Item No. 84-86, 88, 89		
088			681642-5	INSULATION WASHER	1	PC.
089			210059-1	BALL BEARING 6000DDW	1	PC.
090			451107-9	WASHER GUIDE	1	PC.
091			267809-5	WAVE WASHER 19	1	PC.
092			451111-8	BAFFLE PLATE	1	PC.
093			266044-2	TAPPING SCREW 5X60	2	PC.
094			636331-7	FIELD 115V	1	PC.
095			451117-6	MOTOR HOUSING	1	PC.
096	2		632D00-2	* BRUSH HOLDER UNIT	1	PC.
097	2		195845-0	CARBON BRUSH CB-175, 2PC/SET	1	SET
098			265995-6	TAPPING SCREW 4X18	4	PC.
099			158986-3	* CONTROLLER COVER COMPLETE	1	PC.
100			263027-3	RUBBER PIN 4	1	PC.
101			651423-1	SWITCH, SINGLE	1	PC.
102			265995-6	* TAPPING SCREW 4X18	2	PC.
103			687683-9	STRAIN RELIEF	1	PC.
104			265995-6	TAPPING SCREW 4X18	1	PC.
105			664290-5	CORD W/PLUG 2P-14-5.0M	1	PC.
106			682578-1	CORD GUARD	1	PC.
107	2		620229-8	* CONTROLLER	1	PC.

Item No	Type	Ref	Part No	Description (*See Service Changes)	Qty	Unit
108	2		266834-3	* HEX. SOCKET HEAD BOLT M4X18 WITH GM	2	PC.
109			232209-8	LEAF SPRING	1	PC.
110			451112-6	SLIDE LEVER	1	PC.
111			263027-3	RUBBER PIN 4	2	PC.
112			451105-3	LENS	1	PC.
113			451118-4	HANDLE	1	PC.
114			265995-6	TAPPING SCREW 4X18	1	PC.
115			451106-1	SWITCH LEVER	1	PC.
116			265995-6	TAPPING SCREW 4X18	1	PC.
117			266499-1	H.S HEAD BOLT M6X30 WITH GM	4	PC.
118			867310-6	HM1317CB NAME PLATE	1	PC.
119			451119-2	HANDLE COVER	1	PC.
120			265995-6	TAPPING SCREW 4X18	2	PC.
200			652008-6	PAN HEAD SCREW M3.5X7	2	PC.
300			870499-1	CARTON F/HM1317CB	1	PC.
<u>ACCESSORIES</u>		- See Catalogue or Visit www.makita.ca for optional accessory -				
A01			751420-A	20" MOIL POINT 1-1/8" HEX	1	PC.
A02			824897-1	PLASTIC CARRYING CASE	1	PC.
		INC.	162271-8	LATCH	2	PC.
A03			A-90582	HAMMER GREASE 30CC	1	PC.
A04			195103-4	HAMMER SERVICE KIT	1	PC.
		INC.	195845-0	CARBON BRUSH CB-175, 2PC/SET	1	SET
		INC.	213150-4	O RING 36	1	PC.
		INC.	213192-8	X RING 36	1	PC.
		INC.	213193-6	O RING 42	2	PC.
		INC.	213569-7	O RING 45	1	PC.
A05			751106-A	TENT STAKE DRIVER 2-1/2"X5-1/2	1	PC.

SERVICE CHANGES

1. Changes on Controller

(T/I# 91793)

(T/I# 93668)

(T/I# 99132)

Item No.	Description	Type 1	Type 2	Type 3	Type 4
80	Flat washer / Plate	941051-3 (Flat washer)	346546-5 (Plate)		Removed
108	H.S.H Bolt	265490-6 (Torque 1-2N.m)	265490-6 (Torque 1-1.2N.m)		266834-3
122	Controller Assy	----	126091-4	141799-9 (N/A)	Removed
99	Controller Cover Com.	158986-3			
107	Controller	631919-8			
102	Tapping Screw	265995-6			
121	Adhesive Tape	-----	442180-0		Removed

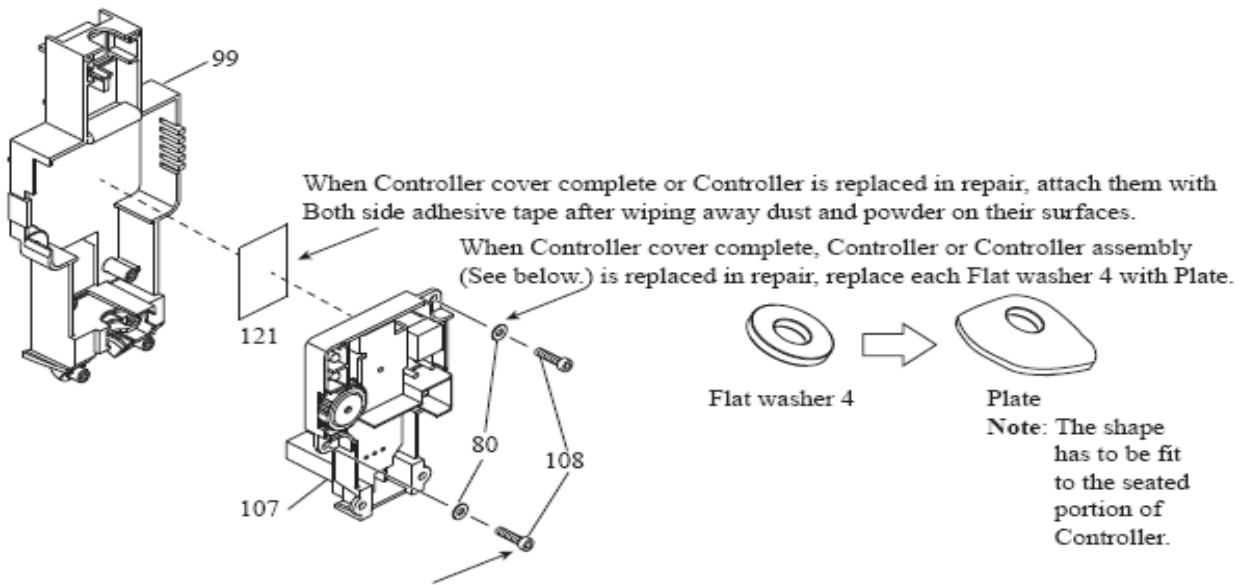
Type 1 , Type 2: Item No. 80, 108 and 122 are completely interchangeable as a set.

Type 2: No. 99, 107, 102, 121 is component of No. 122 Controller Assy

Type 2, Type 3: Item no. No. 122, 107, 121, 080, 108 above are completely interchangeable as a set

After Dec 2012 production

Type 1 > Type 2



Fastening torque of M4x16 Hex. socket head bolt (Part No. 265490-6 thread locker type) has been changed from 1 up to 2N.m to 1 up to 1.2N.m.

Too overtightening of the bolt causes the damage to Controller of plastic, therefore follow the fastening torque.

Once loosening the bolt, be sure to use the new makita genuine bolt 265490-6 or put ThreeBond 1342/ Loctite 242 on the thread then tighten the bolt.

For easier repairing, Controller assembly (#126091-4) has become available.

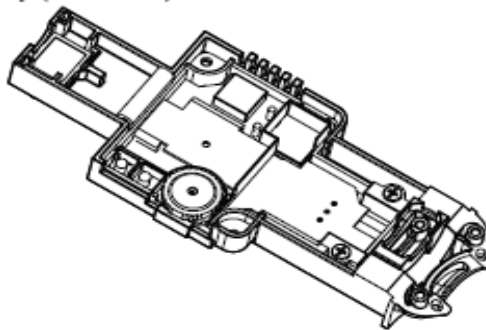
Components:

158986-3 Controller cover complete

631919-8 Controller

442180-0 Both side adhesive tape

265995-6 4x18 Tapping screw (2pc)



Type 2 > Type 3

Plate: 2 pcs.
(130 for HM1214C)
(80 for the others)

M4x16 Hex socket head bolt: 2 pcs. (108)

L=3.0 mm thick

Controller cover complete (99)

Both side adhesive tape (131 for HM1214C) (121 for the others)

Controller (107)

Controller assembly (132 for HM1214C) (122 for the others)

Item No.	Description
(122) (132)	Controller assembly
(99)	* Controller cover complete
(80) (130)	Plate
(107)	* Controller
(108)	Hex socket head bolt M4x16
(121) (131)	* Both side adhesive tape

*The components of Controller assembly

M4x18 Hex socket head bolt with GM: 2 pcs. (108)

L=4.0 mm thick

Controller cover complete (99)

Controller (107)

Item No.	Description
(99)	Controller cover complete
(107)	Controller
(108)	Hex socket head bolt M4x18 with GM

2. Changes on Brush Holder Unit (TI#A4072)

Item No.	Description	Type 1	Type 2
96	BRUSH HOLDER UNIT	638447-4	632D00-2

Type 1

Type 2

